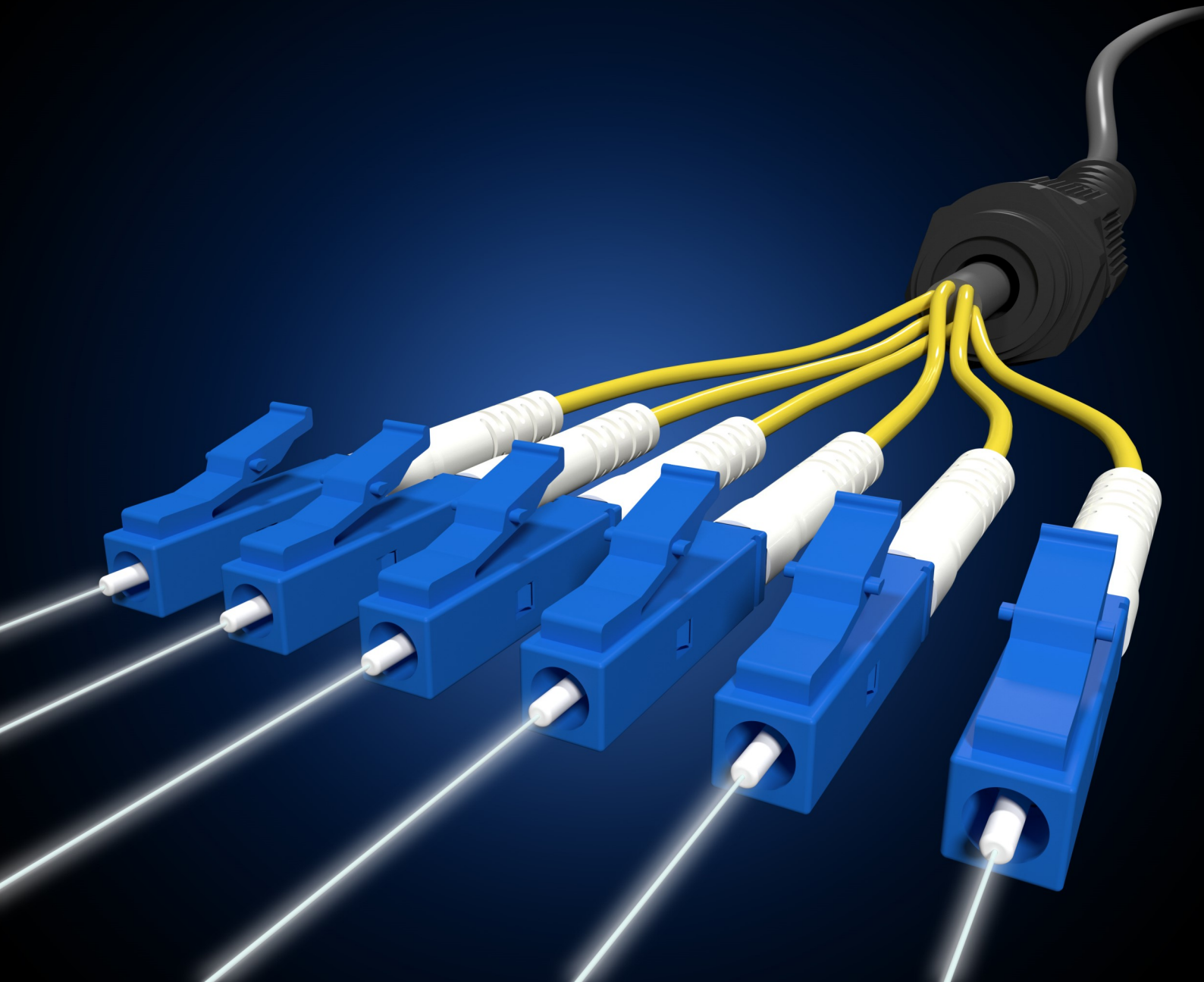


# 2019 Product Catalogue

## Fibre Optic Interface Sub-Catalogue



# Fibre to Ethernet Media Convertors



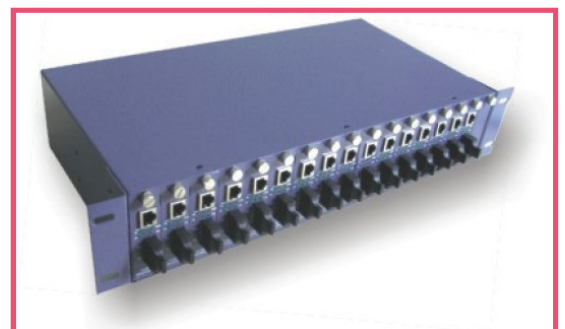
## Features

- TP Port Rate : 10/100 or 1000Mbps Auto-negotiation
- Fibre Port Rate : 100 or 1000 Mbps
- Duplex Mode : Full-DX/Half-DX Auto-neg.
- UTP Ports : RJ-45 UTP
- Fibre Ports : SC (Multimode or Single Mode)
- LED Indicators : TX & RX, FP-LINK 1000M,PWR,DVP
- Power Requirement : 1A@ +5V/DC
- External power supply
- Ambient Temperature : 0~60°C
- Humidity : 5%~90%
- Dimensions : 95mm(W)x70mm(D)x26mm(H)
- FCC Part 15 Class B, CE Mark & C-Tick
- Standards
  - IEEE802.3UI
  - 10/100Base-TX and 100Base-FX
  - 1000Base-Tx and 1000Base-Fx
  - Australian Standards Approved Power Supply

## Ask us for other options, these include:

- UTP Powered
- SFP Slot
- 10/100/100Mbps
- Bi-Directional
- Single Mode Distances up to 120klms
- Other Wavelengths
- Chassis Mounts

Model Numbers	Fibre Mode	Max Distance	Wave Length
<b>10/100 Mbps</b>			
CMTFCM	MM	2KM	850nm/1300nm
CMTFCS-10	SM	10KM	1310nm
<b>Gigabit</b>			
CMGSCM	MM	2KM	850nm
CMGSCS-10	SM	10km	1310



[www.selectdata.com.au](http://www.selectdata.com.au)

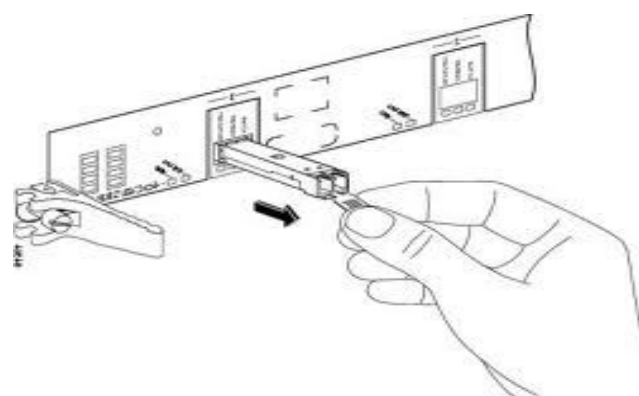
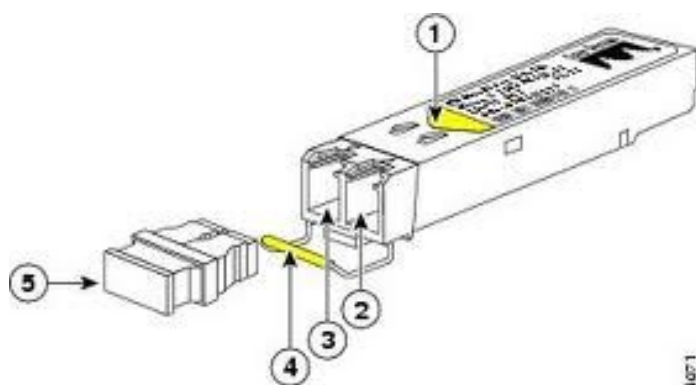
07 3556 1480

# Fibre to Ethernet SFP Modules



## SFP Modules

The **small form-factor pluggable (SFP)** is a compact, hot-pluggable transceiver used for both telecommunication and data communications applications. The form factor and electrical interface are specified by a multi-source agreement (MSA). It interfaces a network device mother board (for a switch, router, media converter or similar device) to a fiber optic network cable. It is a popular industry format jointly developed and supported by many network component vendors.<sup>[1]</sup> SFP transceivers are designed to support SONET, Gigabit Ethernet, Fibre Channel, and other communications standards. Due to its smaller size, SFP obsoletes the formerly ubiquitous gigabit interface converter (GBIC); the SFP is sometimes referred to as a **Mini-GBIC** although no device with this name has ever been defined in the MSAs



### Typical Brands:

Cisco

HP

D-Link

Netgear

3-Com

Alcatel-Lucent

Adtran

Allied Telesis

Arista

Avaya

Brocade

Calix

Ciena

Dell

Finisar

Enterasys

Extreme

Force 10

Foundary

H3C

Huawei

IBM

Intel

Juniper

Linksys

Marconi

McAfee

Milan

Nortel

QLogic

Redback

Riverstone

SMC

Transition Networks

Trendnet

ZTE

Zyxel

If your brand is not on this list  
check with us anyway as it is likely  
we can supply it

[www.selectdata.com.au](http://www.selectdata.com.au)

07 3556 1480

  
**SelectData**  
Cables, Connectors & More